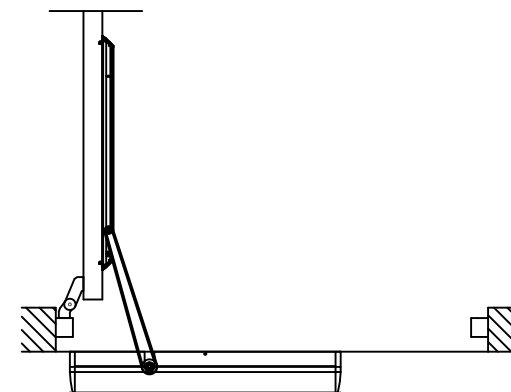
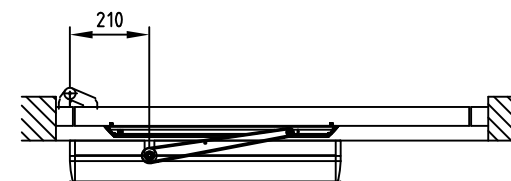
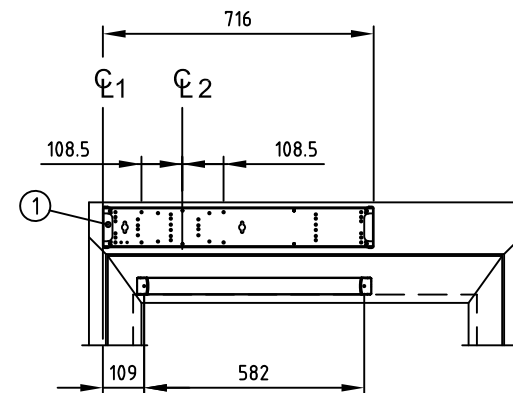


Y=	Shaft extension
69	0
89	20
119	50
136	70

- CL1 Hinges
- CL2 Operator drive shaft
- A Reveal max. 50mm
- 1 Cable inlet
- 2 Reinforcements required in door leaf and at fixing holes

Note! Max. door leaf width 1200mm
Max. door leaf weight 120kg



Customer: _____

Ref: _____

Door id: _____

Date: _____

Project No: _____

Sign: _____

PowerSwing
Arm system Pull (as pushing)



Swing door operator

5

173780