

Swing Door Operator Besam SW150

ASSA ABLOY

ASSA ABLOY Entrance Systems

The global leader in
door opening solutions



The appealingly slim and silent Besam SW150 swing door operator is the ideal choice for indoor entrances where closing spring is not a pre-requisite

Energy-efficiency

The innovative electronics in Besam SW150 ensure minimal energy consumption for optimal door performance. As Besam SW150 has no closing spring to overcome, the energy-consumption in hold-open position is almost zero.

Besam automated door systems are sustainable by nature and automatically convenient as they ensure opening only when needed to pass, eliminating unnecessary air infiltration and keeping climate zones separate.

Technical specifications

Power supply	100-240 VAC +10/-15%, 50/60 Hz, mains fuse max 10A (building installation)
Power consumption	Max. 300 W
Auxiliary voltage	24 V DC, max. 700 mA
Monitored battery backup unit	24 V DC
Electromechanical locking connection	12 V DC, max. 1200 mA or 24 V DC, max. 600 mA
Ambient temperature	-20 °C to +45 °C
Relative humidity (non condensing)	95%
Recommended max. door weight and door width Inertia J = Door Weight x (door width) ² /3 PUSH = 70 kgm ² PULL = 40 kgm ²	
Class of protection IP20 - To be installed internally or externally with suitable weather protection	
Besam SW150 complies with	- EN 16005

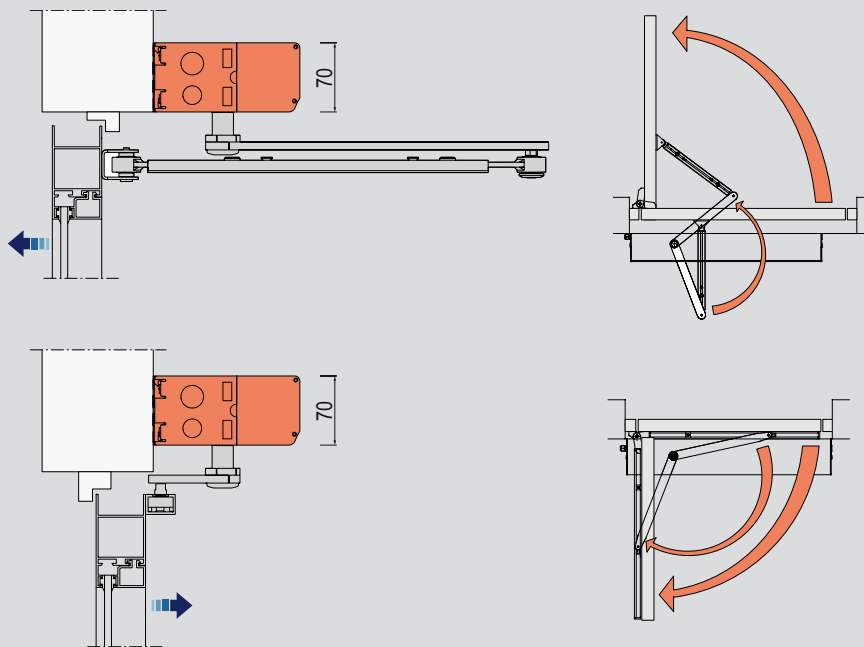
Safety

Besam SW150 is safe to use for all, despite age and physical ability. In case of an obstruction by a person or object, the obstruction control ensures stop on stall and reverse operation. Furthermore, Besam SW150 swing door operator is fully compliant with European standards.

Convenience

An entrance equipped with a Besam SW150 operator is always accessible due to battery backup and also monitors the battery for power and function, giving an electronic indication if it is not working properly and needs to be replaced.

The operator is truly reliable as it is not affected by stack pressure when opening and/or closing. Also, for your convenience, safety and quick exit, Besam SW150 can easily be manually opened, despite extended closing torque, due to sensor detection ensuring lowest manual opening force.



Security

Besam SW150's intelligent locking features are designed for your peace of mind. For example, double doors are precisely controlled to prevent jamming and increase security. Besam SW150 operator can also sense when the door has not closed completely and will prompt the door to open again and close fully, even under stack pressure.

Aesthetics

The 70 mm slim Besam SW150 swing door requires a minimum of space while providing maximum performance. Furthermore, the door system operates impressively silent despite its amazing capability to handle heavy doors.

Besam SW150 can be retrofitted with existing doors and thereby keeping the overall door system design and environment aesthetically intact.

Standard equipment

Cover - Silver anodized aluminium, other paint finishes optional
 Dimensions: - Length 840 mm
 - Height 70 mm
 - Depth 148 mm

Control unit CU-300 - with possibility to connect manual and automatic activation units and position switches

Accessories and Options

Programme selectors

Extension unit EXU-SI – Used if additional functions are required, e.g. electromechanical lock, program selector, emergency battery, kill function open/close, key opening and outer impulse

Extension unit EXU-SA – Has inputs for both monitored / non monitored door mounted sensors, which can give presence impulse and/or presence detection. Relay output for error or door indication is also integrated

Sync cable – Used on double doors to select the opening and closing order

Finger trap protection devices

Manual and automatic activation units

Battery backup unit

Impulse and presence detection sensors

Arm systems PUSH and PULL

This equipment should be installed, regularly inspected, maintained and serviced by trained and authorized personnel. Preventive maintenance plans are highly recommended for a proper and safe operation. Talk to your ASSA ABLOY Entrance Systems representative to learn more about our service offering!