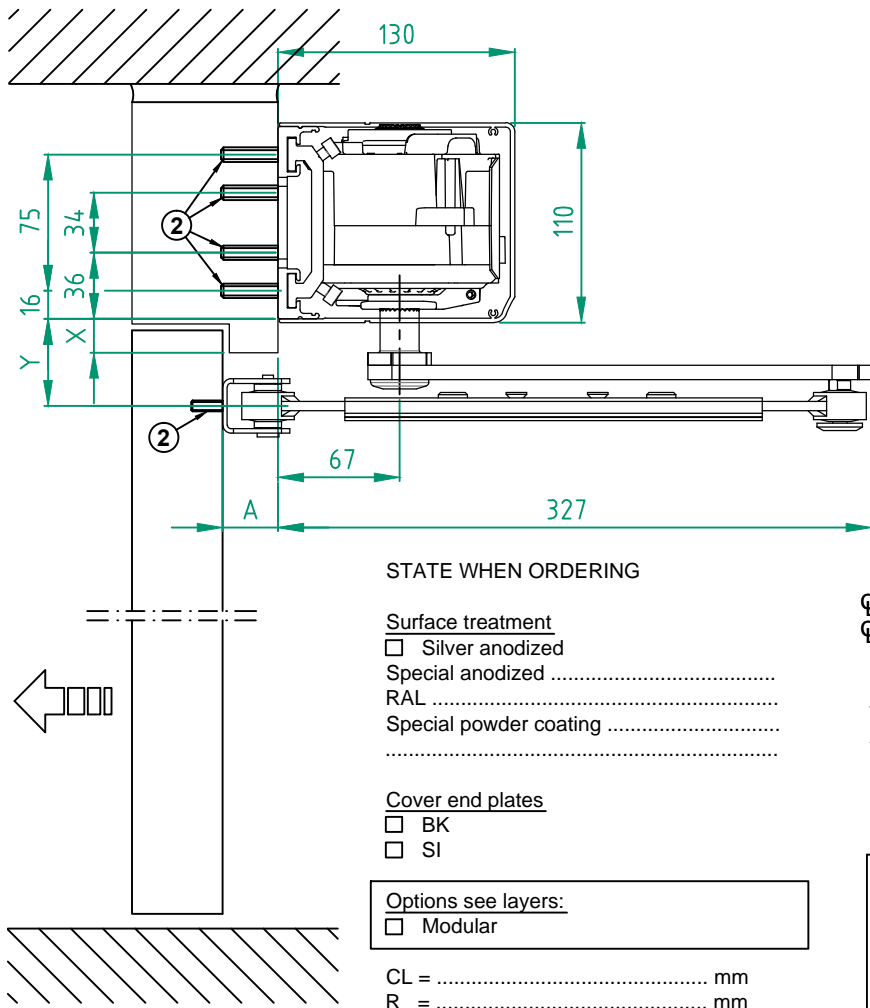


© All rights in and to this material are the sole property of ASSA ABLOY Entrance Systems AB. Copying, scanning, alterations or modifications are expressly forbidden without the prior written consent of the applicable company within ASSA ABLOY Entrance Systems AB. Rights reserved for changes without prior notice.



**STATE WHEN ORDERING**

**Surface treatment**

- Silver anodized
- Special anodized .....
- RAL .....
- Special powder coating .....

**Cover end plates**

- BK
- SI

**Options see layers:**

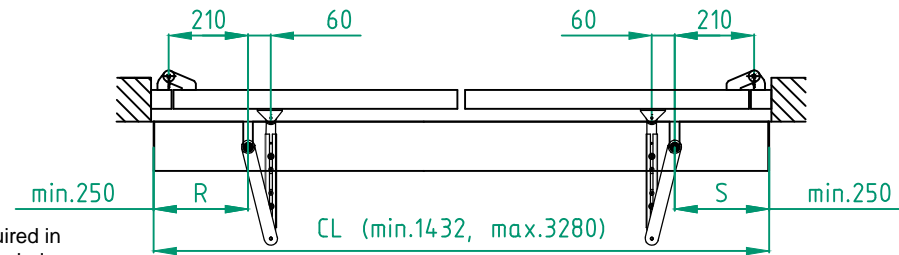
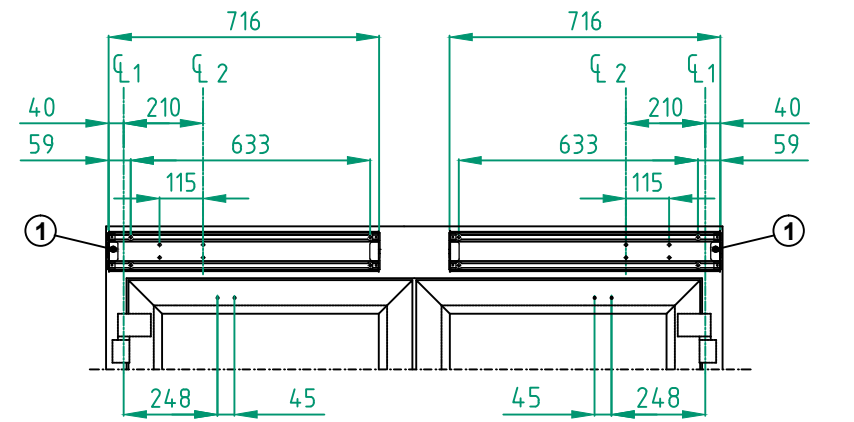
- Modular

CL = ..... mm  
 R = ..... mm  
 S = ..... mm

If R and S are set to "0", no cutouts will be made.

- CL1 Hinges
- CL2 Operator drive shaft
- A Reveal A=0-95 mm, optional 335 mm
- 1 Cable inlet
- 2 Reinforcements required in door leaf and at fixing holes

X	Y	Shaft extension
0-14	48	0
15-35	68	20
36-65	98	50
66-86	118	70



Customer: \_\_\_\_\_

Door id: \_\_\_\_\_

Project No: \_\_\_\_\_

Ref: \_\_\_\_\_

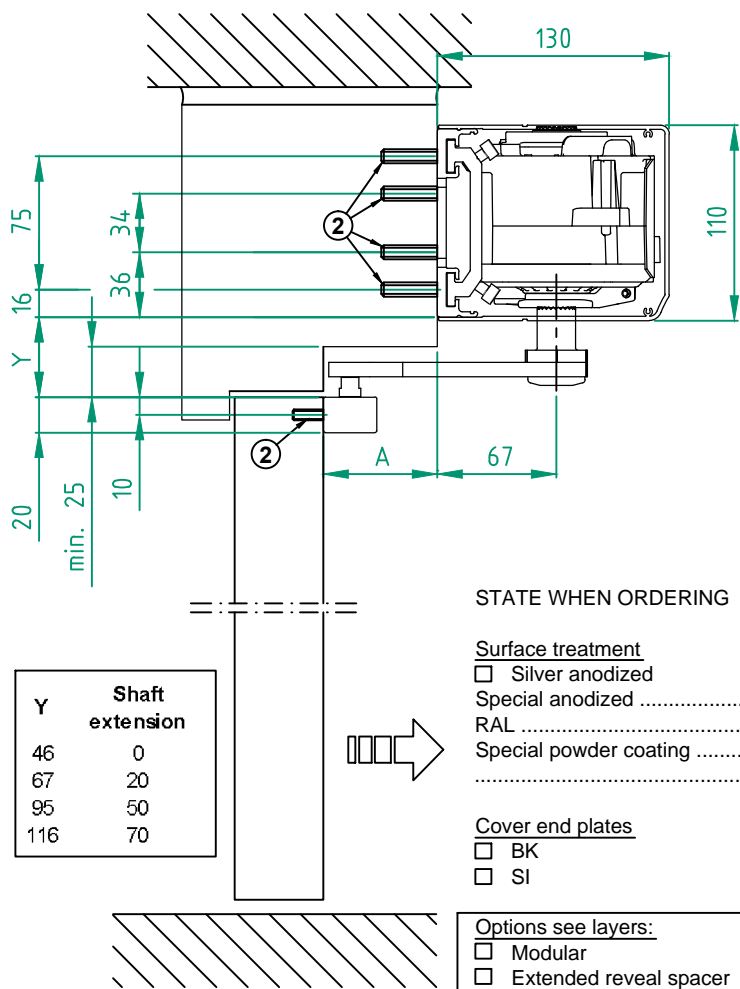
Date: \_\_\_\_\_

Sign: \_\_\_\_\_

Swing door operator  
 Besam SW200i-2, PUSH  
 High Performance  
 Art. No. 1009942

**ASSA ABLOY**

4.0 1009942-EI



Y	Shaft extension
46	0
67	20
95	50
116	70

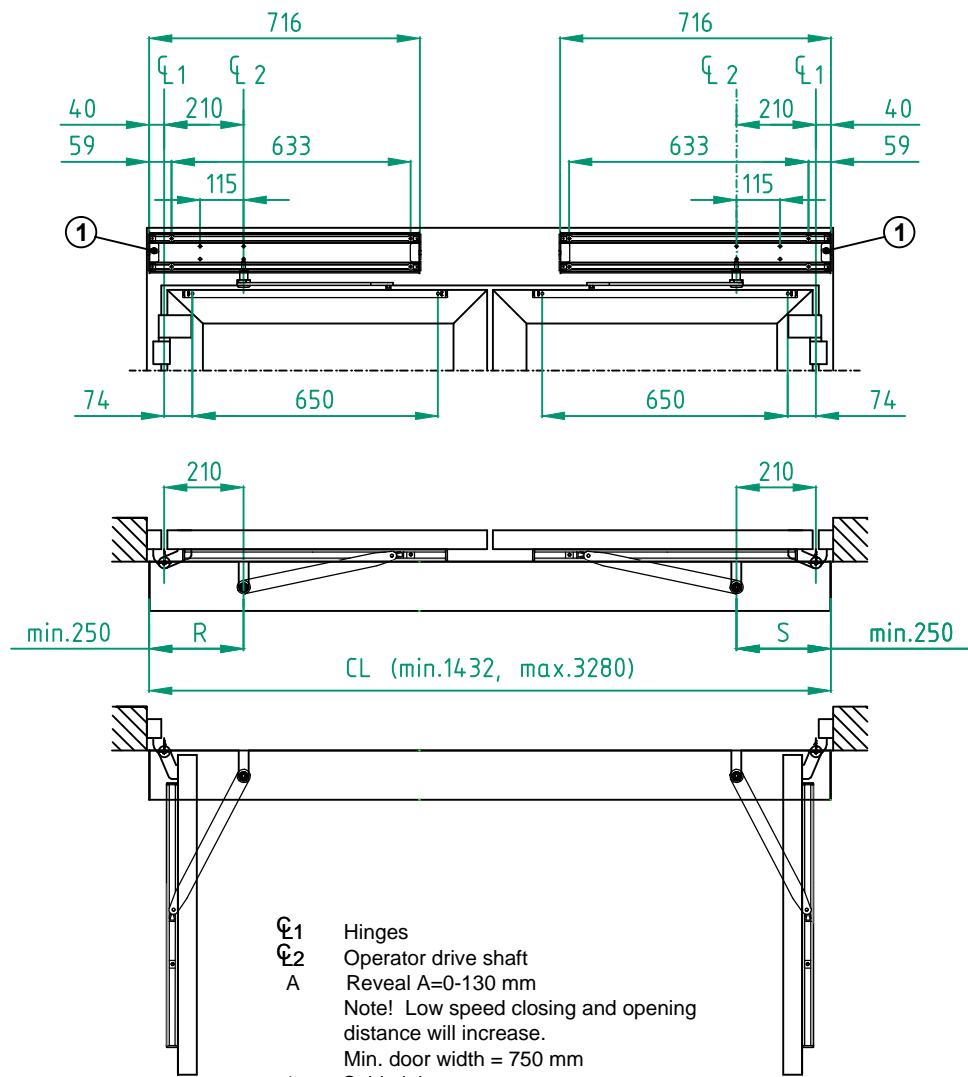
**STATE WHEN ORDERING**

- Surface treatment
- Silver anodized
  - Special anodized .....
  - RAL .....
  - Special powder coating .....
  - .....

- Cover end plates
- BK
  - SI

- Options see layers:
- Modular
  - Extended reveal spacer

CL = ..... mm  
 R = ..... mm  
 S = ..... mm  
 If R and S are set to "0", no cutouts will be made .



- Ø1 Hinges
- Ø2 Operator drive shaft
- A Reveal A=0-130 mm
- Note! Low speed closing and opening distance will increase.
- Min. door width = 750 mm
- 1 Cable inlet
- 2 Reinforcements required in door leaf and at fixing holes

Customer: \_\_\_\_\_

Door id: \_\_\_\_\_

Project No: \_\_\_\_\_

Ref: \_\_\_\_\_

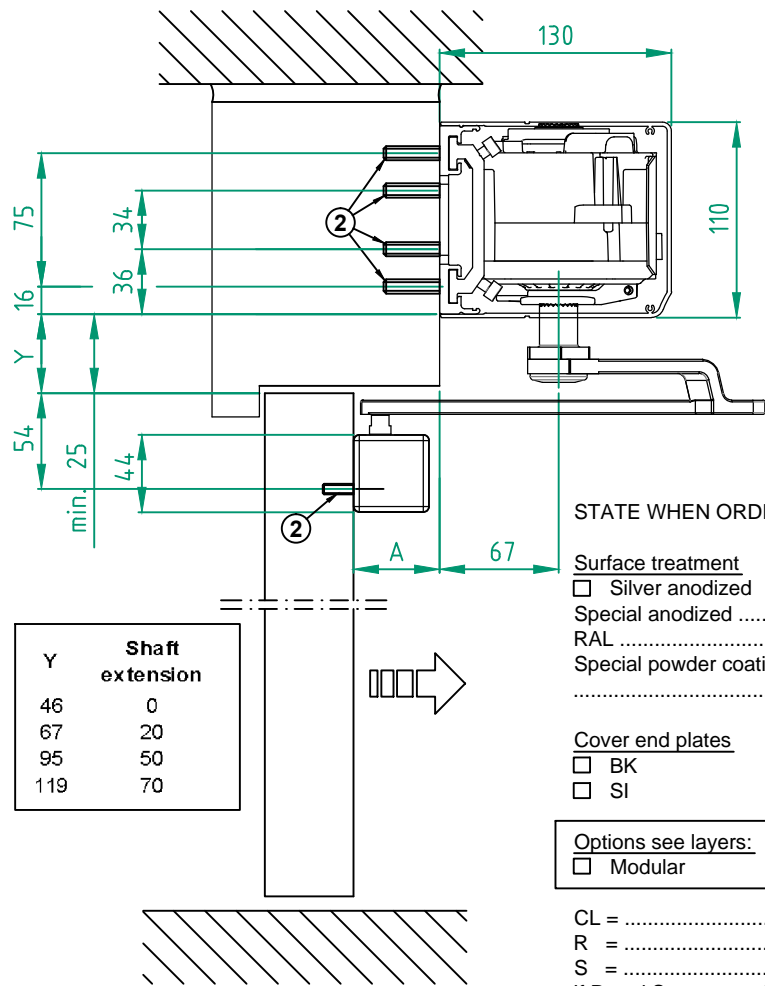
Date: \_\_\_\_\_

Sign: \_\_\_\_\_

**Swing door operator**  
**Besam SW200i-2, PULL**  
 High Performance  
 Art. No. 1009942

**ASSA ABLOY**

4.0 1009942-EI



Y	Shaft extension
46	0
67	20
95	50
119	70

**STATE WHEN ORDERING**

- Surface treatment  
 Silver anodized  
 Special anodized .....  
 RAL .....  
 Special powder coating .....  
 .....

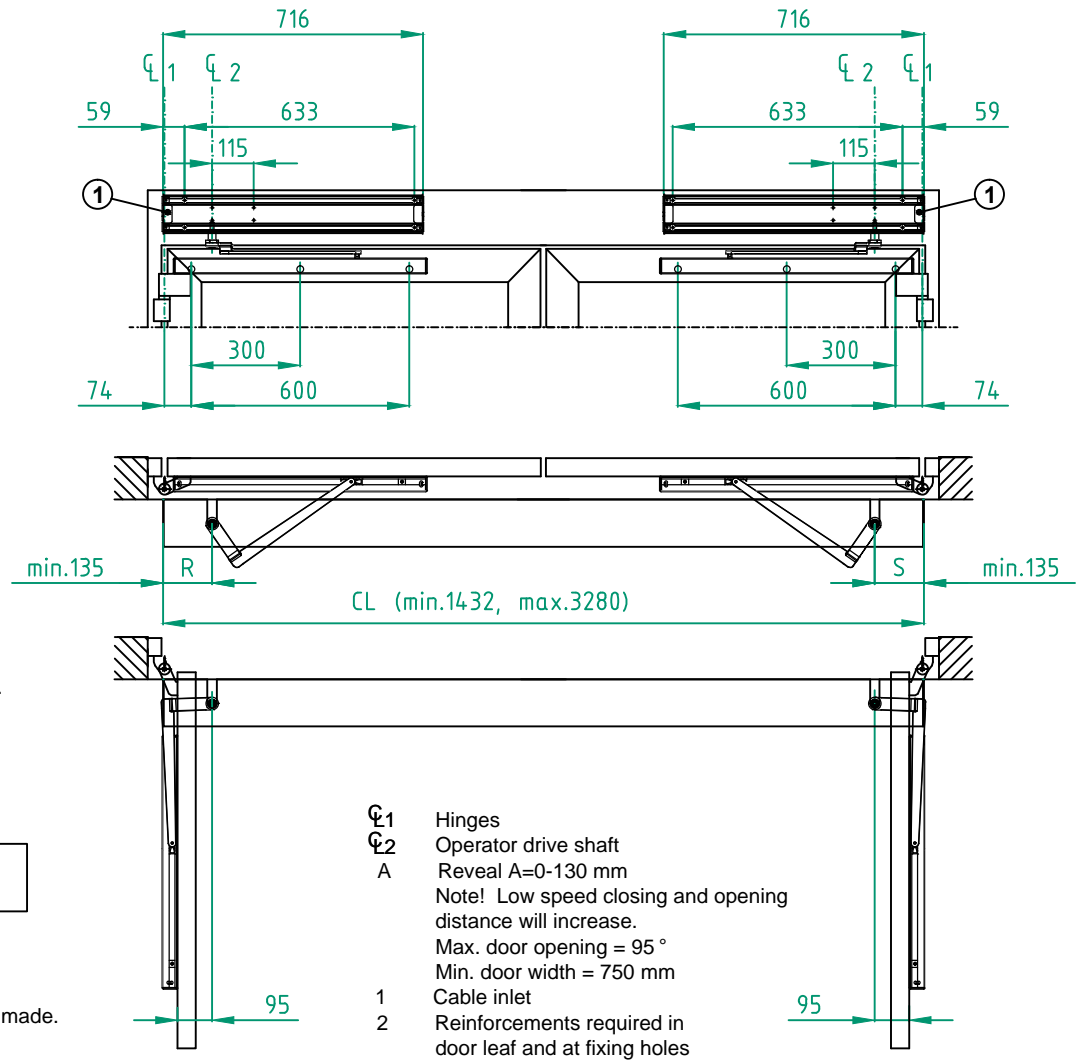
**Cover end plates**

- BK  
 SI

**Options see layers:**

- Modular

CL = ..... mm  
 R = ..... mm  
 S = ..... mm  
 If R and S are set to "0", no cutouts will be made.



- ⌀1 Hinges  
 ⌀2 Operator drive shaft  
 A Reveal A=0-130 mm  
 Note! Low speed closing and opening distance will increase.  
 Max. door opening = 95°  
 Min. door width = 750 mm  
 1 Cable inlet  
 2 Reinforcements required in door leaf and at fixing holes

Customer: \_\_\_\_\_

Door id: \_\_\_\_\_

Project No: \_\_\_\_\_

Ref: \_\_\_\_\_

Date: \_\_\_\_\_

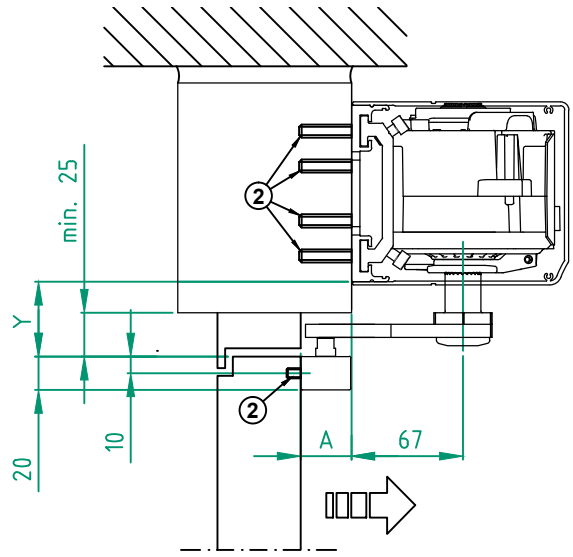
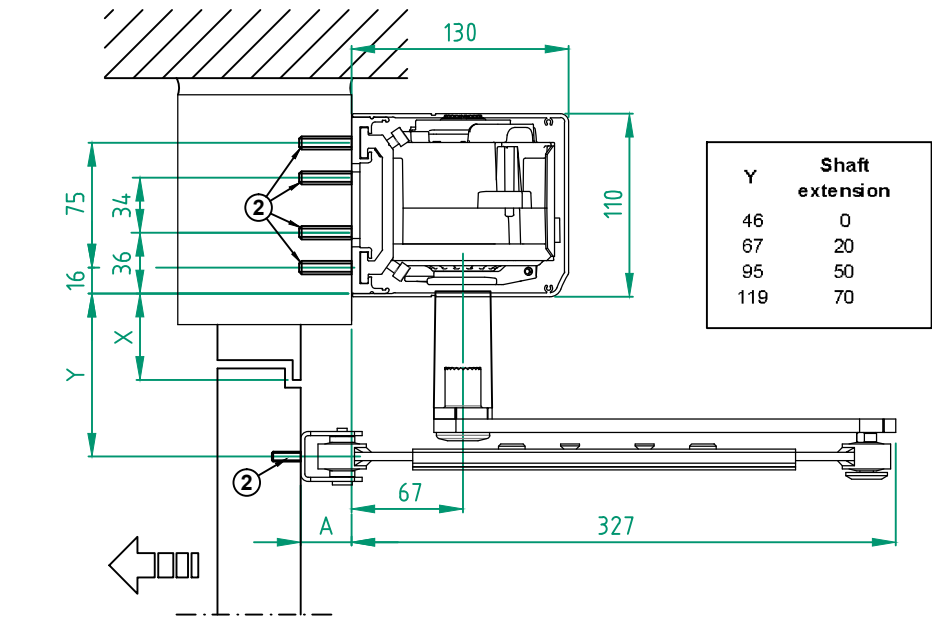
Sign: \_\_\_\_\_

Swing door operator  
 Besam SW200i-2, PAS  
 LE Performance  
 Art. No. 1009942

**ASSA ABLOY**

4.0 1009942-EI

© All rights in and to this material are the sole property of ASSA ABLOY Entrance Systems AB. Copying, scanning, alterations or modifications are expressly forbidden without the prior written consent of the applicable company within ASSA ABLOY Entrance Systems AB. Rights reserved for changes without prior notice.



**STATE WHEN ORDERING**

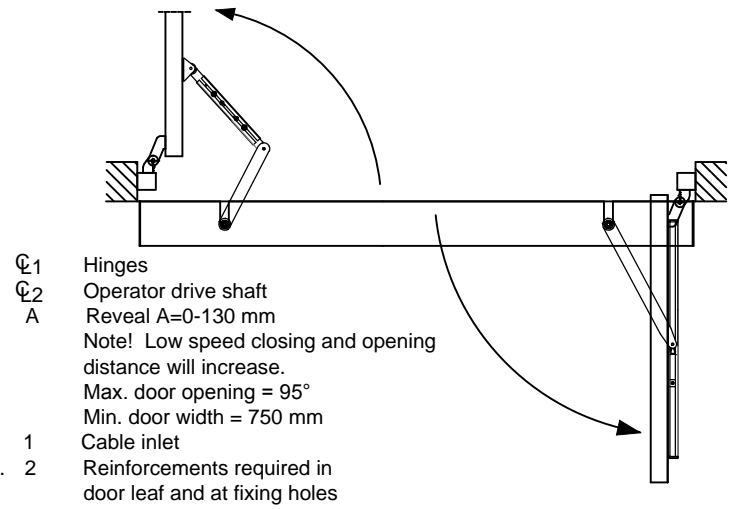
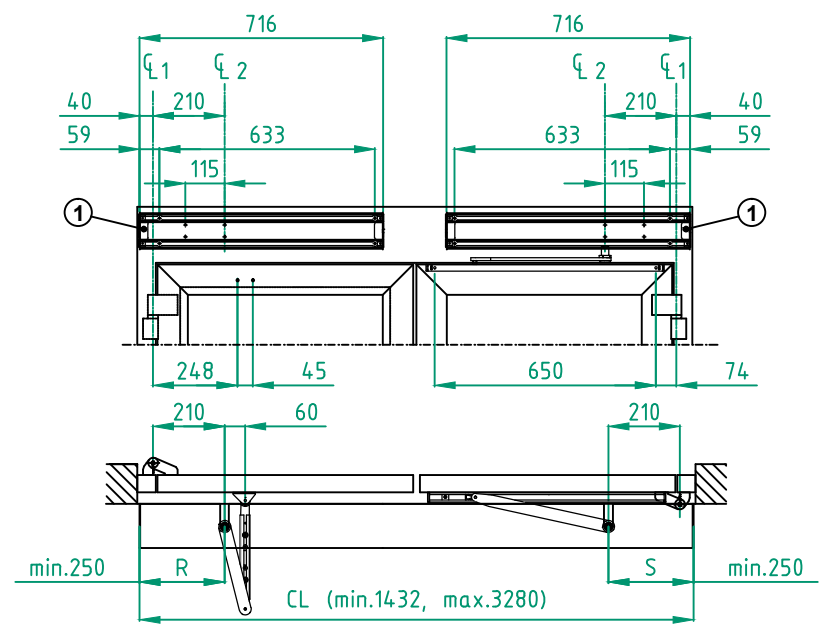
- Surface treatment**
- Silver anodized
  - Special anodized .....
  - RAL .....
  - Special powder coating .....

- Cover end plates**
- BK
  - SI

**Options see layers:**

- Modular

CL = ..... mm  
 R = ..... mm  
 S = ..... mm  
 If R and S are set to "0", no cutouts will be made.



- ⌀1 Hinges
- ⌀2 Operator drive shaft
- A Reveal A=0-130 mm
- Note! Low speed closing and opening distance will increase.
- Max. door opening = 95°
- Min. door width = 750 mm
- 1 Cable inlet
- 2 Reinforcements required in door leaf and at fixing holes

Customer: \_\_\_\_\_

Door id: \_\_\_\_\_

Project No: \_\_\_\_\_

Ref: \_\_\_\_\_

Date: \_\_\_\_\_

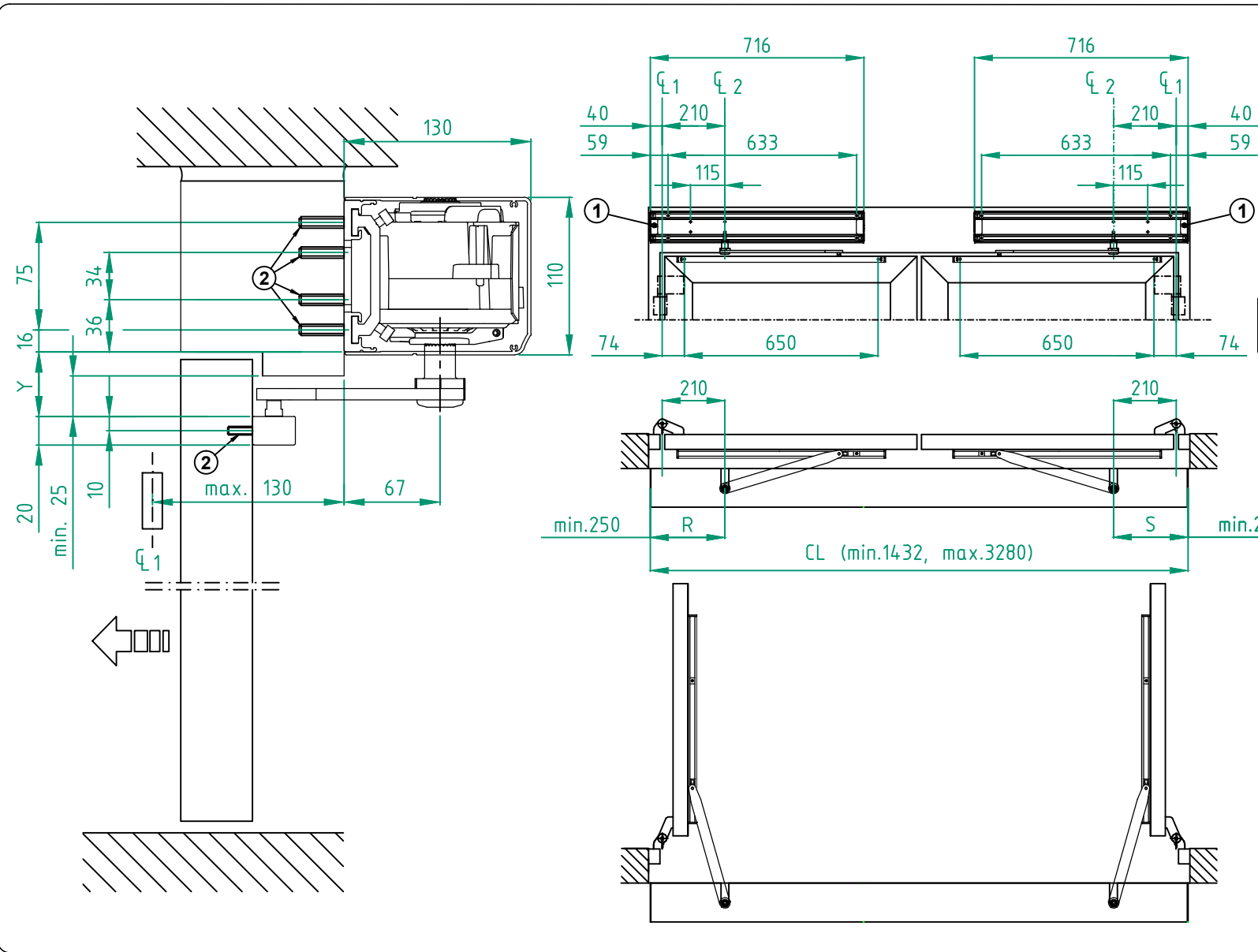
Sign: \_\_\_\_\_

**Swing door operator**  
 Besam SW200i-2, PUSH+PULL  
 High Performance  
 Art. No. 1009942

**ASSA ABLOY**

4.0 1009942-EI

© All rights in and to this material are the sole property of ASSA ABLOY Entrance Systems AB. Copying, scanning, alterations or modifications are expressly forbidden without the prior written consent of the applicable company within ASSA ABLOY Entrance Systems AB. Rights reserved for changes without prior notice.



**STATE WHEN ORDERING**

- Surface treatment**
- Silver anodized
  - Special anodized .....
  - RAL .....
  - Special powder coating .....

- Cover end plates**
- BK
  - SI

**Options see layers:**

- Modular

CL = ..... mm  
 R = ..... mm  
 S = ..... mm  
 If R and S are set to "0", no cutouts will be made.

- ⌀1 Hinges
- ⌀2 Operator drive shaft
- Min. door width = 750 mm
- Cable inlet
- 1 Reinforcements required in door leaf and at fixing holes
- 2 Reinforcements required in door leaf and at fixing holes

Y	Shaft extension
46	0
67	20
95	50
116	70

Customer: \_\_\_\_\_

Door id: \_\_\_\_\_

Project No: \_\_\_\_\_

Ref: \_\_\_\_\_

Date: \_\_\_\_\_

Sign: \_\_\_\_\_

**Swing door operator**  
**Besam SW200i-2, Sliding PUSH**  
**High Performance**  
 Art. No. 1009942

**ASSA ABLOY**

4.0 1009942-EI